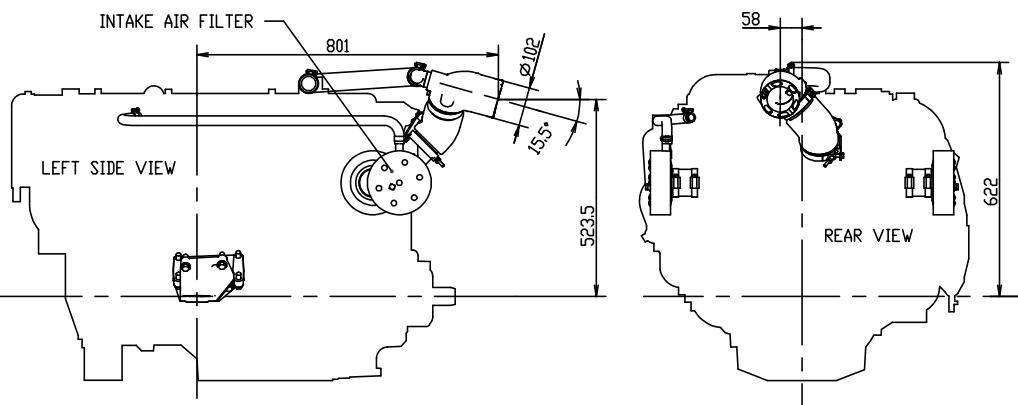
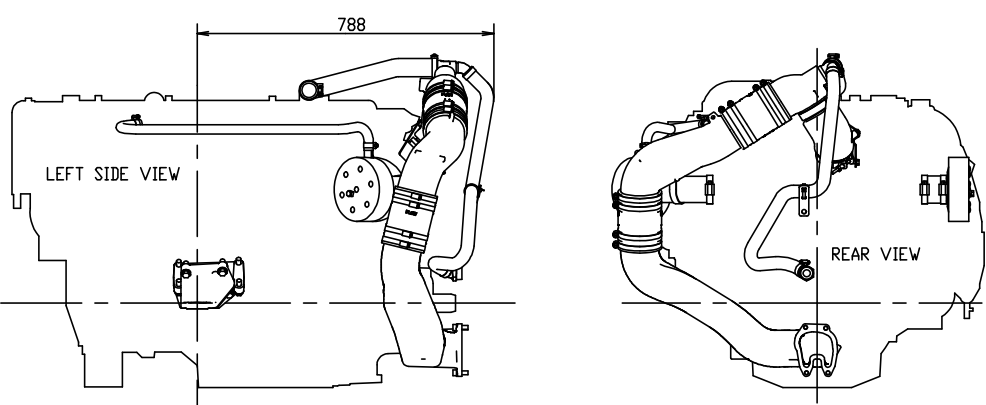
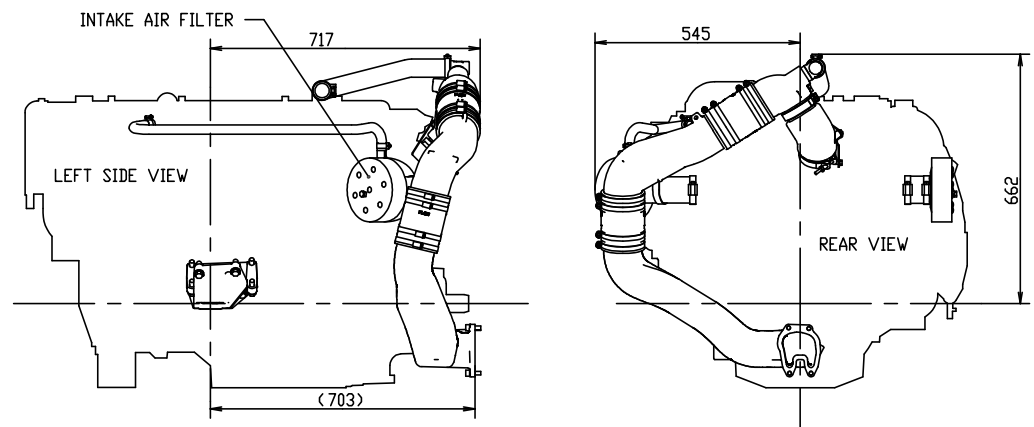
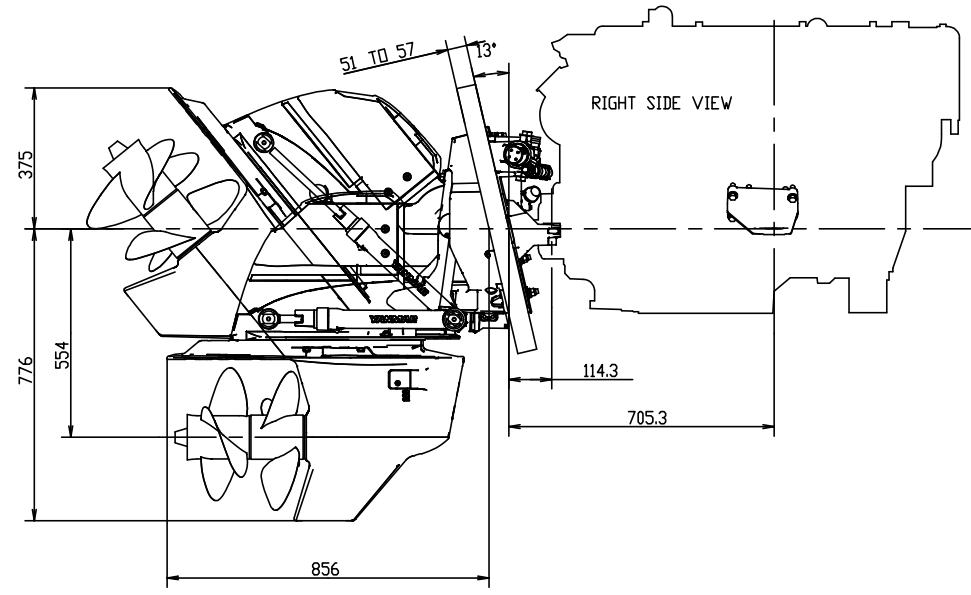
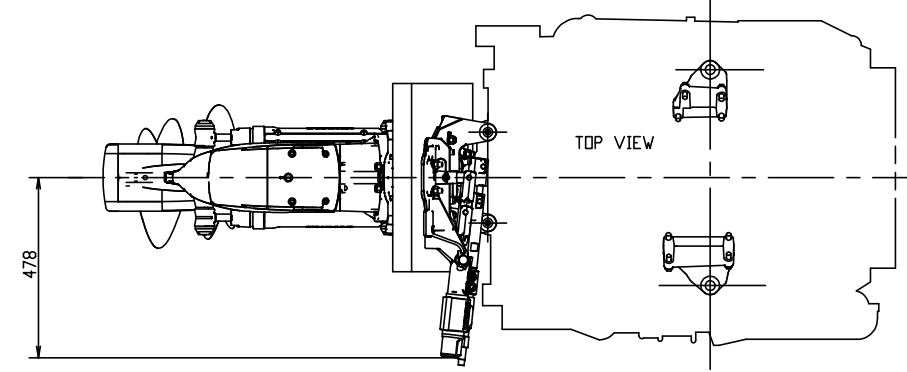


(2010.08.31)????????????????????
 RELEASE OF DRAWING FOR
 MASS PRODUCTION.
 (YDSBD-10005)(????)

NEED	○	PURCHASING SPECIFICATION	REQUEST FOR APPROVAL	DELIVERY DRAWING	INSPECTING STANDARD	QC-PROCESS																		
GEN. TOL.	0.1	OUTSIDE	NOMINAL DIM	5 TO	10 TO	18 TO	30 TO	L-CAST	120 MAX	120 TO	250 TO	400 TO	800 TO	1600 TO	L-CHIP	0.5 TO	= 6	±0.1	400 TO	=1000	±0.8	10 MAX	±1DEG.	
DRAFT ANG.	2/100	INSIDE	SANDMOLD	5 MAX	= 10	= 18	= 30		±1.5	±2.0	±3.0	±4.0	±5.0	±7.0		6 TO	= 30	±0.2	1000 TO	=2000	±1.2	10 TO	= 50	±30MIN.
	3/100	CAST WALL THICK	SHELL	±1.0	±1.5	±2.0	±3.0	±3.5	±1.0	±1.5	±2.0	±3.0	±4.0	±6.0		30 TO	=120	±0.3	2000 TO	=4000	±2.0	50 TO	=120	±20MIN.
				±0.8	±1.0	±1.5	±2.0	±2.0								120 TO	=400	±0.5				120 TO	=400	±10MIN.
																400 MIN						400 MIN		± 5MIN.



DRIVE EXHAUST (STANDARD)
 D19799-03130
 D19799-13280
 D19799-13410
 D19799-18130
 D19799-49610

DRIVE EXHAUST WITH WATER BYPASS (OPTION)
 D19799-03130
 D19799-13280
 D19799-13410
 D19799-18130
 D19799-49620

HIGHT RISER EXHAUST (OPTION)
 D19798-03130
 D19799-13290
 D19798-18130

DRIVE UNIT	REDUCTION				DRY WEIGHT, kg	DIRECTION OF ROTATION
ZT370	-	-	1.65	1.78	100	CONTRAROTATING PROPS

NOTES.
 1. REFER TO 'B2-19799-0010' DRAWING FOR DETAIL OF ENGINE.

While respecting the use of environmentally hazardous substances, the substances shall conform to the requirements specified in US-V-1000J. Restrictions of use for Environmentally Hazardous Substances.

3D-CAD	
NOTICE	
GEOMETRICAL TOLERANCE	
SYMBOL	
STRAIGHTNESS TOLERANCE	
IRREGULARITY TOLERANCE	
PROFILE OF LINE TOLERANCE	
FLATNESS TOLERANCE	
CYLINDRICITY TOLERANCE	
ROUNDNESS TOLERANCE	
PARALLELISM TOLERANCE	
PERPENDICULARITY TOLERANCE	
IRREGULARITY TOLERANCE	
POSITIONAL TOLERANCE	
CONCENTRICITY TOLERANCE	
SYMMETRY TOLERANCE	
ROUNDNESS TOLERANCE	
ROUNDNESS TOLERANCE	
ROUNDNESS TOLERANCE	

CAD DATA INFORMATION OF THIS DRAWING.	
CAD SYSTEM	Pro/Engineer Wildfire2.0
ARCHIVE FILE NAME	B2-19799-0020_rev0.zip
FILE ARCHIVER	ZIP
DATA TRANSLATION FORMAT	IGES

MASS,RAW	kg (± 2%)	??	MANAGER	??			
MASS,CALC.	kg (± 2%)	??		??			
SEN,ENGINEER	SEC,MANAGER	MODEL	8LV 320 Z	8LV 350 Z	8LV 370 Z	SCALE	1:10
CHECKED	SPECIALIST	QTY				MATERIAL	
DESIGNED	DRAWN	DATE:Y.M.D	NAME	8LV-Z APPLICATION (1/2)			
???		2010.08.31		OUTLINE DRAWING FOR OPTIONAL PARTS			
YANMAR			CODE	B2-19799-0020	DRAWN SITE A1		
YANMAR CO.,LTD. DEVELOPMENT DEPT.							